

Hello everyone who drives Nissan Frontier.

We know how you have it. That's why we make interiors for you.

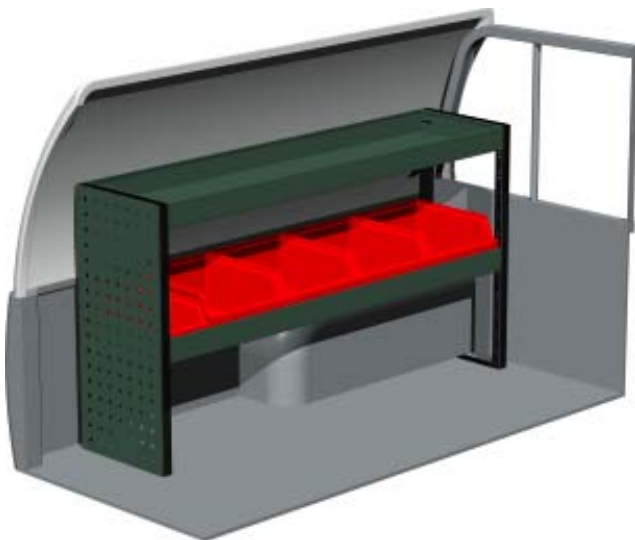


Frontier Double Cab

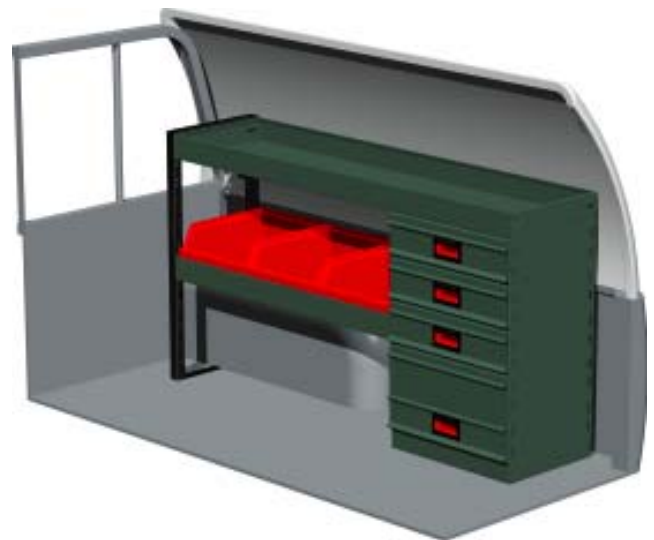


A place for everything.

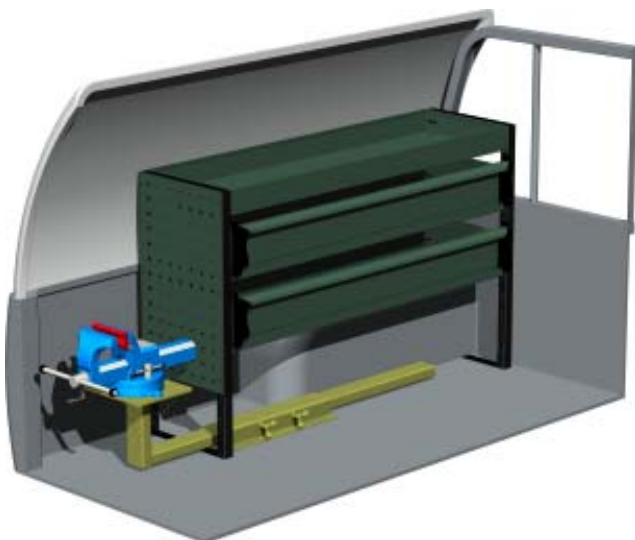
How much time do you spend on finding the right tool or spare part?
How many minutes a day? How many kilometers a day?
With the right interior and a good order in your van you can spend your time on work.



Package No. F60001
W x D x H 1237 x 300 x 670 mm
Weight app. 17 kg



Package No. F60002
W x D x H 1206 x 300 x 670 mm
Weight app. 27 kg



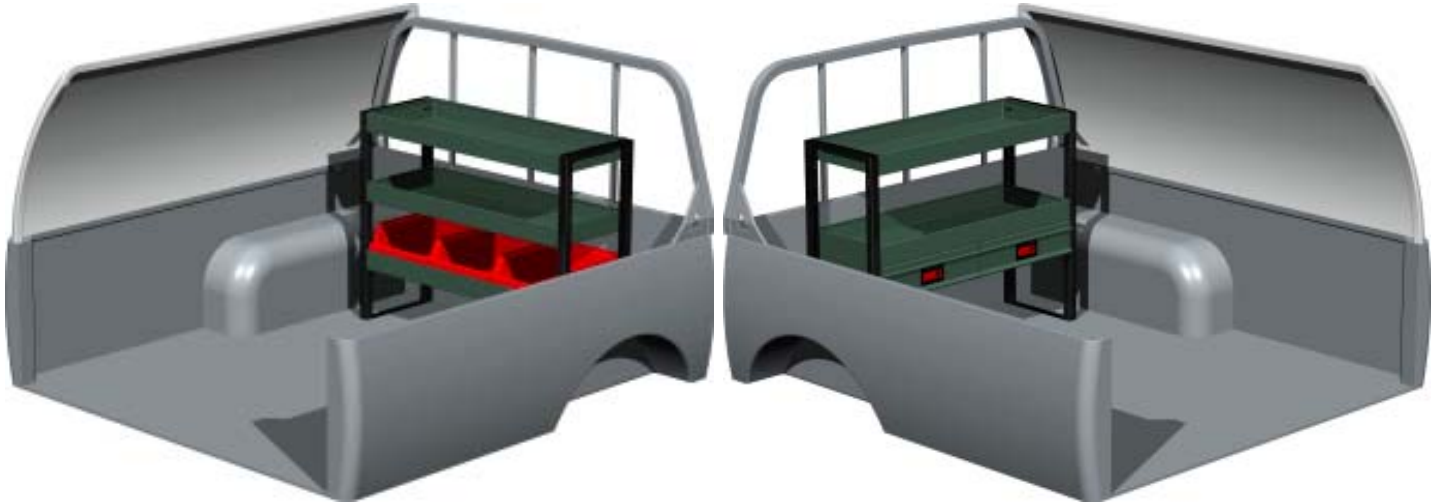
Package No. F60003
W x D x H 1058 x 300 x 670 mm
Weight app. 37 kg



Package No. F60004
W x D x H 1206 x 300 x 670 mm
Weight app. 30 kg

Nissan Frontier Double Cab

Document: NFDC-0401



Package No. F60005
W x D x H 844 x 300 x 670 mm
Weight app. 15 kg

Package No. F60006
W x D x H 844 x 300 x 670 mm
Weight app. 17 kg



Package No. F60007
W x D x H 844 x 300 x 670 mm
Weight app. 19 kg

Package No. F60008
W x D x H 844 x 300 x 670 mm
Weight app. 29 kg

SYSTEM EDSTRÖM

is qualitytested by:



The packages includes what you see in the drawing and necessary installation parts.

What you can add:

Drawer inserts, file holders, tool holders and moore.

See us on internet : <http://www.edstrom.se>

Dealer



A place for everything.