

Hello everyone who drives Toyota HiLux.

We know how you have it. That's why we make interiors for you.

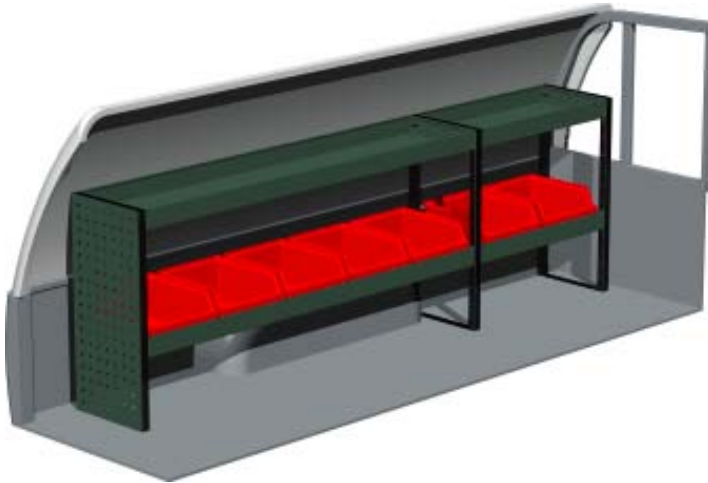


A place for everything.

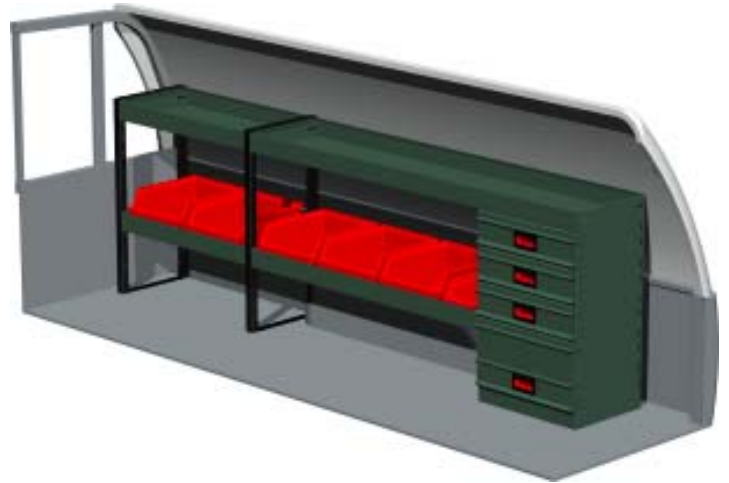
How much time do you spend on finding the right tool or spare part?

How many minutes a day? How many kilometers a day?

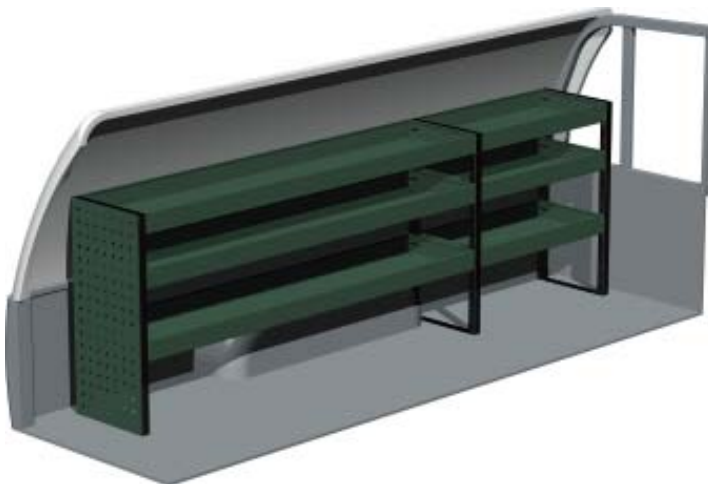
With the right interior and a good order in your van you can spend your time on work.



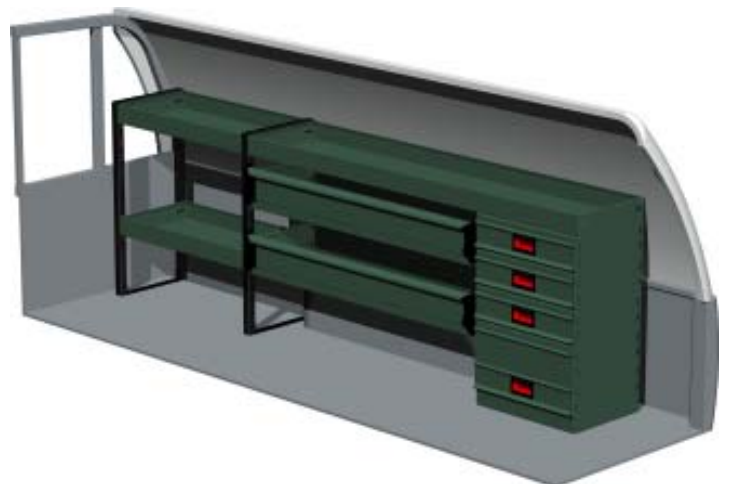
Package No. F60021
W x D x H 2085 x 300 x 670 mm
Weight app. 26 kg



Package No. F60022
W x D x H 2054 x 300 x 670 mm
Weight app. 36 kg



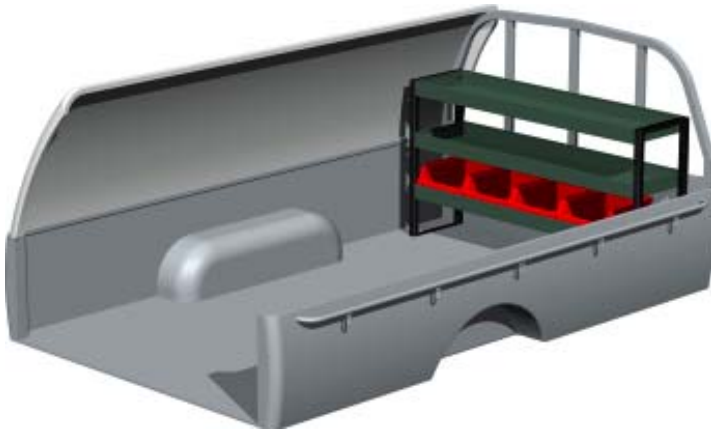
Package No. F60023
W x D x H 2085 x 300 x 670 mm
Weight app. 29 kg



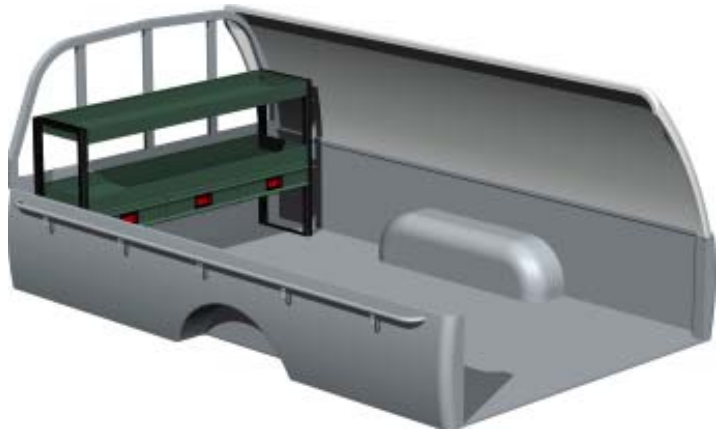
Package No. F60024
W x D x H 2054 x 300 x 670 mm
Weight app. 39 kg

Toyota HiLux Vigo Standard Cab

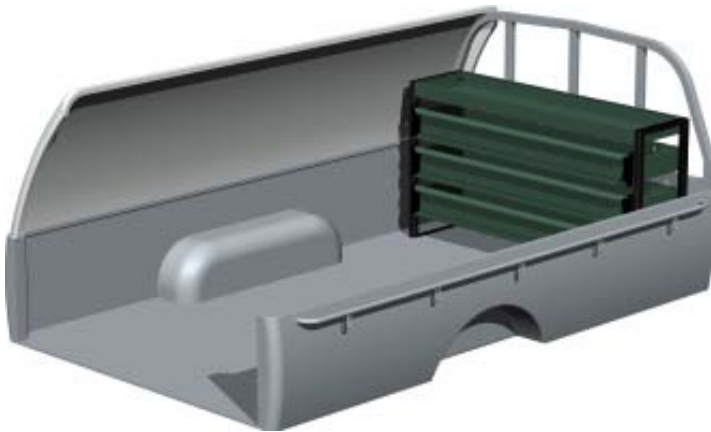
Document: THVSC-0401



Package No. F60025
W x D x H 1236 x 300 x 670 mm
Weight app. 19 kg



Package No. F60026
W x D x H 1236 x 300 x 670 mm
Weight app. 23 kg



Package No. F60027
W x D x H 1236 x 300 x 670 mm
Weight app. 26 kg



Package No. F60028
W x D x H 1236 x 300 x 670 mm
Weight app. 41 kg

SYSTEM EDSTRÖM

is qualitytested by:



The packages includes what you see in the drawing and necessary installation parts.

What you can add:

Drawer inserts, file holders, tool holders and more.

See us on internet : <http://www.edstrom.se>

Dealer



A place for everything.